

SR830 (B458)

This parts catalog includes MB No. 1 to 2

SR830 (B458)

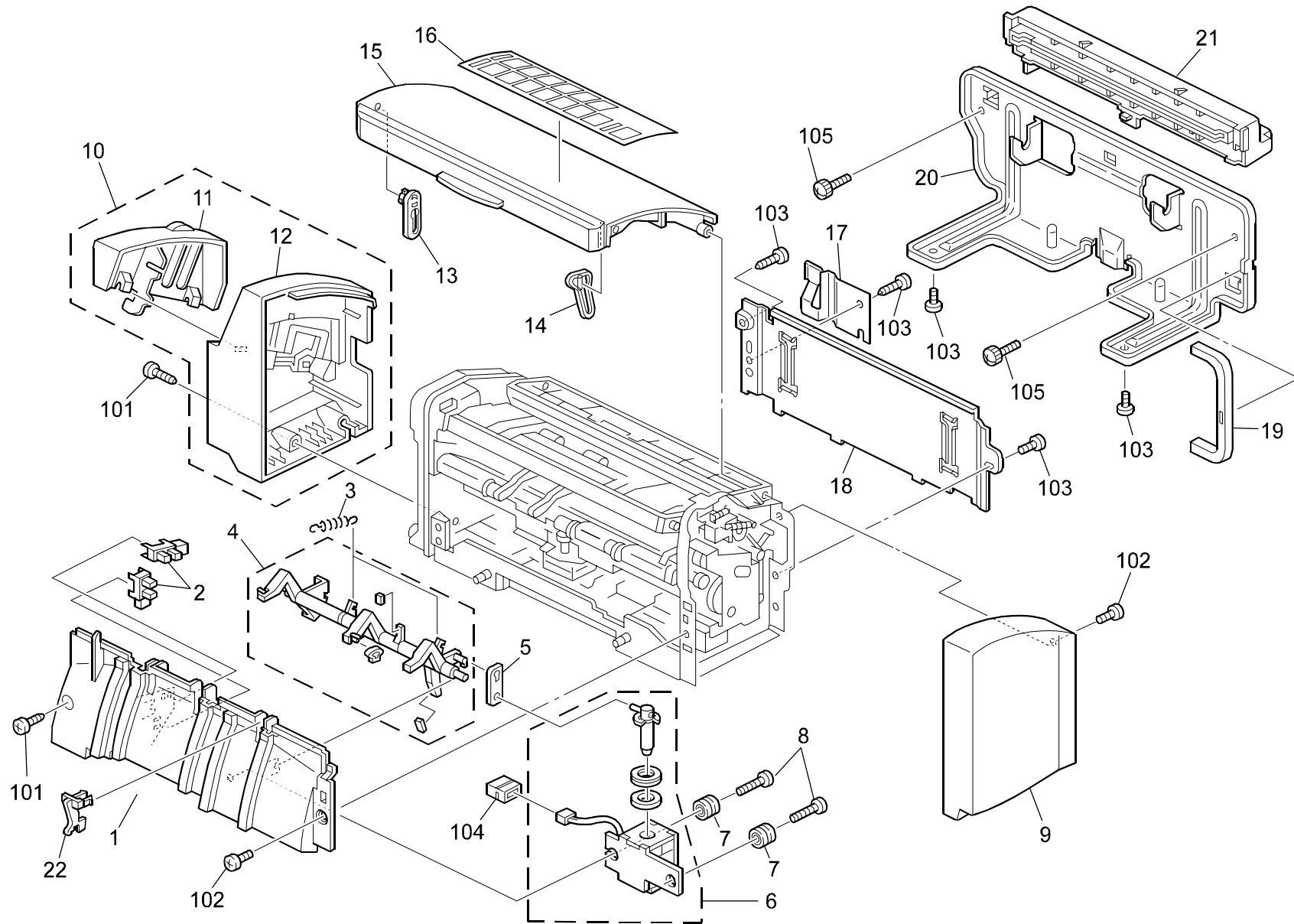
PARTS CATALOG

This catalog gives the numbers and names of parts on this machine.

1.EXTERIOR (B458).....	2
2.TRAY DRIVE (B458)	4
3.DRIVE SECTION (B458).....	6
4.PAPER EXIT (B458).....	8
5.VERTICAL TRANSFER (B458).....	10
6.ELECTRICAL/FRAME (B458)	12
PARTS INDEX.....	15

February ,25 ' 2005

1.EXTERIOR (B458)

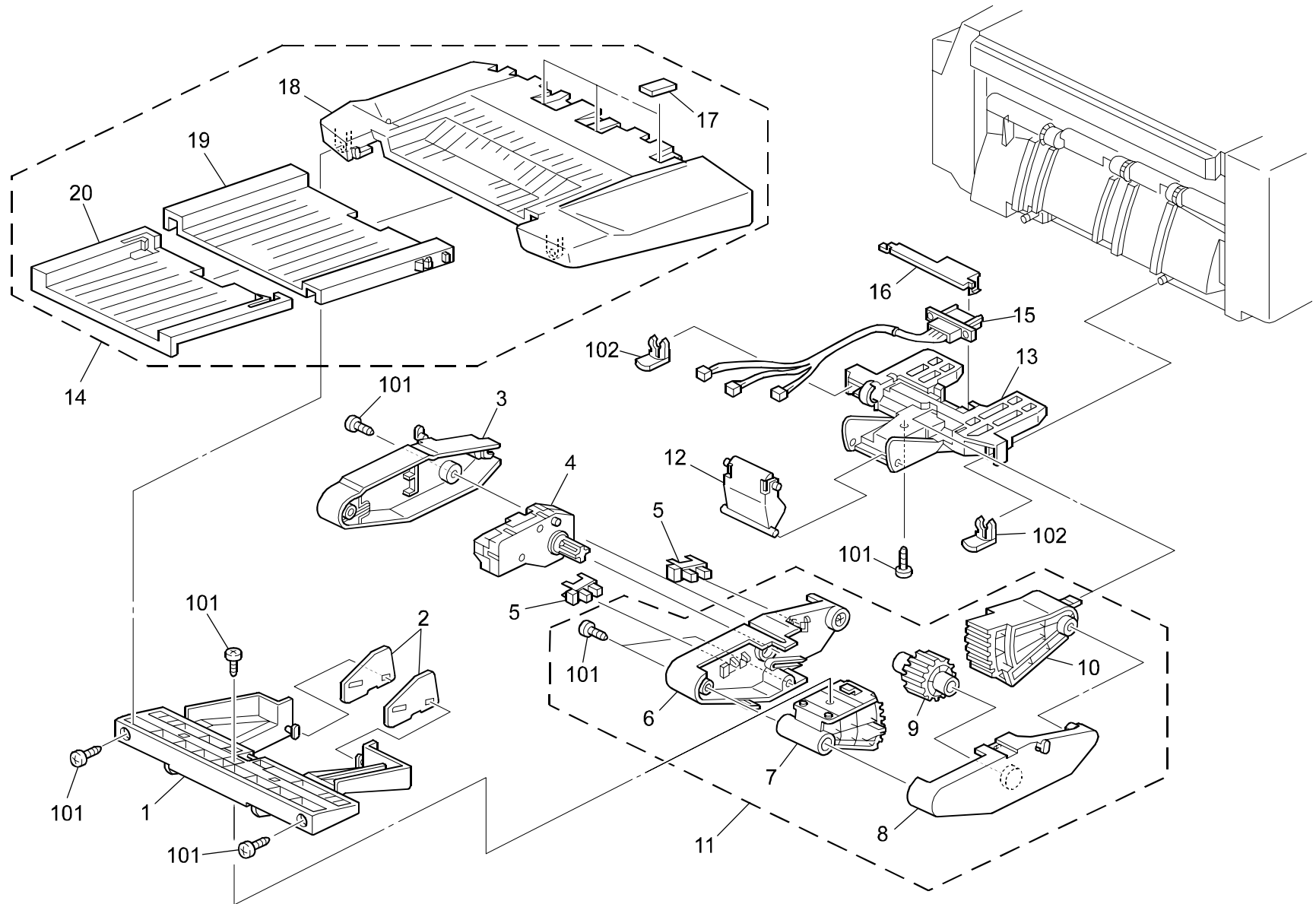


1.EXTERIOR (B458)

Index No.	Part No.	Description	Q'ty Per Assembly
1	G314 3112	Guide Plate - Lower	1
2	G302 1012	Photointerruptor	2
3	G302 1150	Spring - Paper Sensor	2
4	G314 3231	Paper Sensor Lever	1
5	G302 1106	Link - Paper Sensor	1
6	G302 0410	Solenoid - Paper Sensor Ass'y	1
7	G302 1143	Rubber Cushion - MM6	1
8	G302 1526	Screw - 4X12	2
9	B442 1082	Front Cover	2
10	B442 0430	Rear Cover Ass'y	1
11	B442 1057	Cover - Open	1
12	B442 1083	Rear Cover	1
13	G302 1100	Cover Rear Link	1
14	G302 1090	Cover Front Link	1
15	G314 3111	Upper Cover	1
16	B442 1153	Decal - Paper Jam	1
17	G302 1045	Spring Plate - Ground	1
18	G302 1042	Cover - Right	1
19	B458 1012	Bracket Cover	1
20	B458 1011	Joint Frame	1
21	G302 1113	Guide Plate - Joint	1
22	G314 3113	Cap - Guide Plate Lower	1

Index No.	Part No.	Description	Q'ty Per Assembly
101	G302 1500	Tapping Screw - 4x12	
102	G302 1504	Screw - 4x6	
103	G302 1501	Pan Head Screw - 4x7	
104	G302 1023	Connector - Solenoid	
105	B458 1015	Pan Head Screw - M4	

2. TRAY DRIVE (B458)

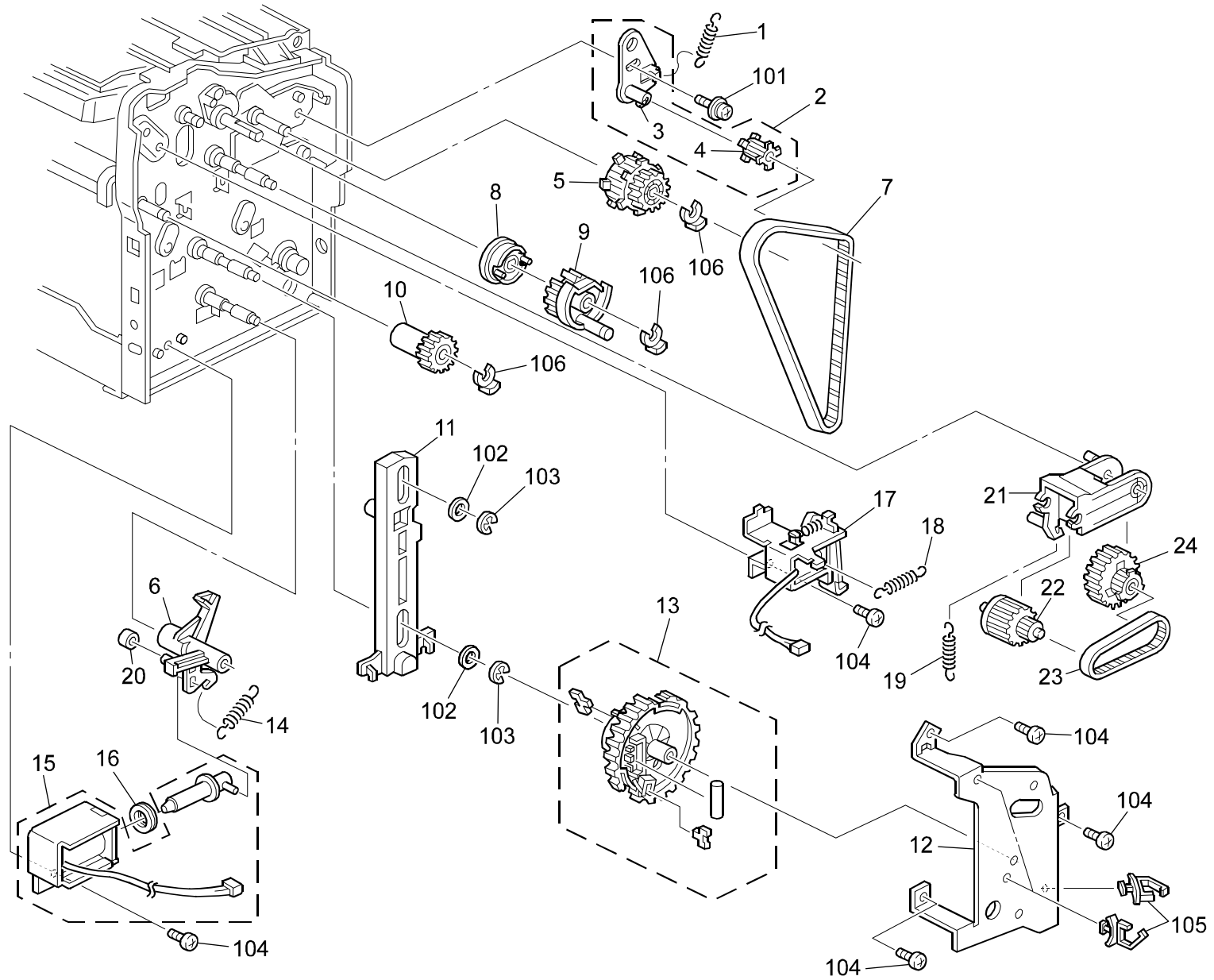


2. TRAY DRIVE (B458)

Index No.	Part No.	Description	Q'ty Per Assembly
1	G314 3171	Holder - Tray	1
2	G314 3178	Plate - Tray	2
3	G314 3180	Rear Link Cover	1
4	G302 1154	DC Motor - Tray	1
5	G302 1012	Photointerruptor	2
6	G314 3177	Middle Tray Cover	1
7	G314 3181	Tray Drive Gear	1
8	G314 3176	Front Cover Link	1
9	G302 1108	Gear - Z40	1
10	G302 1109	Tray Right Gear	1
11	G314 3170	Link - Tray Ass'y	1
12	G314 3179	Tray Link Cover	1
13	G314 3155	Tray Base Holder	1
14	G314 3150	Exit Tray Ass'y	1
15	G302 1030	Tray Drawer Connector	1
16	G302 1104	Connector Cover	1
17	G302 1122	Rubber Cushion	3
18	G314 3151	Main Tray	1
19	G314 3152	Middle Slide Tray	1
20	G314 3153	End Slide Tray	1

Index No.	Part No.	Description	Q'ty Per Assembly
101	G302 1500	Tapping Screw - 4x12	
102	G302 1519	Snap Ring - Tray	

3.DRIVE SECTION (B458)

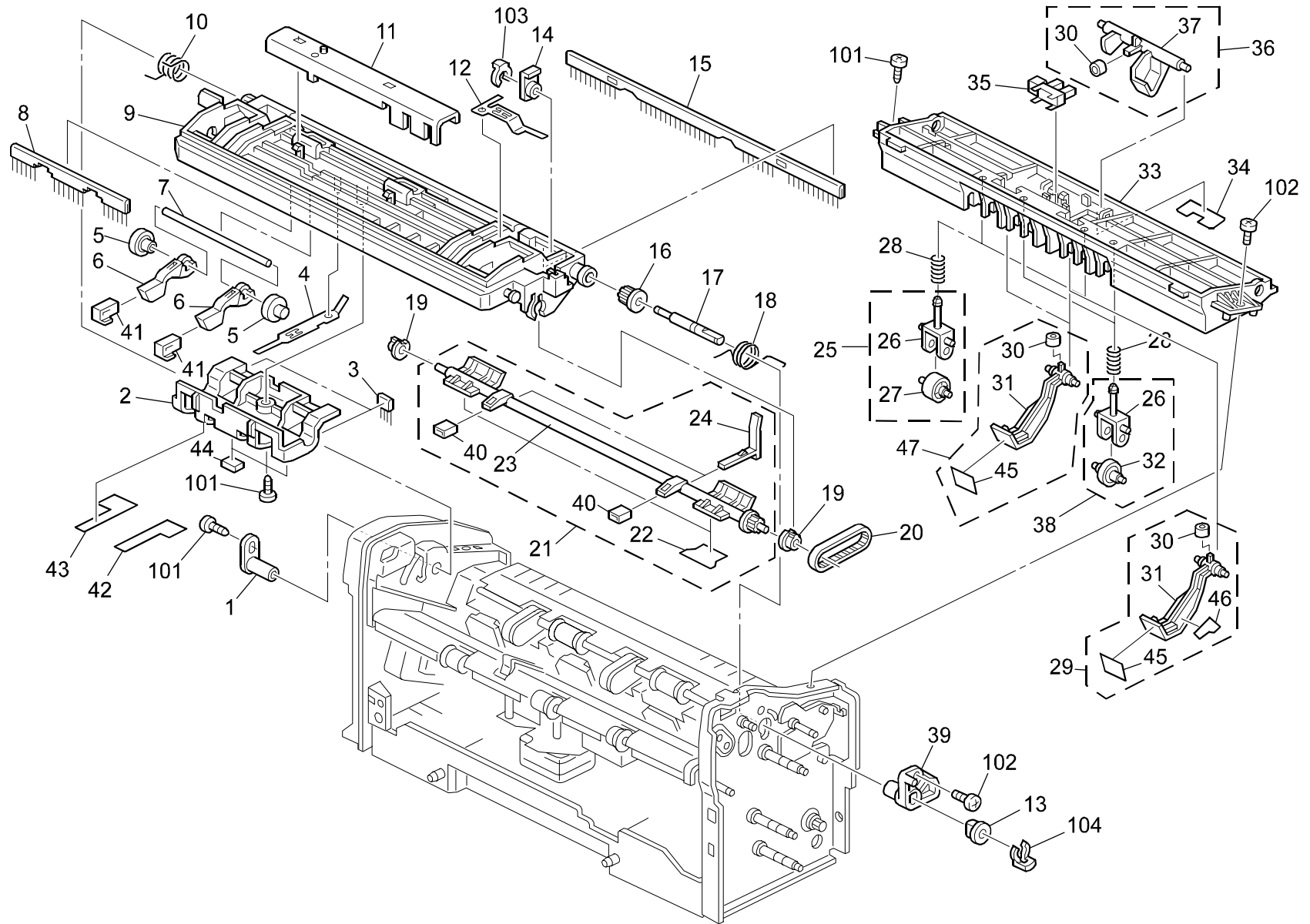


3.DRIVE SECTION (B458)

Index No.	Part No.	Description	Q'ty Per Assembly
1	G302 1119	Spring - Belt Tension	1
2	G302 0500	Tensioner - Drive Ass'y	1
3	G302 1101	Holder - Belt Tensioner	1
4	G302 1069	Pulley - Z18	1
5	G302 1068	Feed Out Pulley	1
6	G302 1076	Link Lever	1
7	G302 1024	Timing Belt - Transport	1
8	G302 1081	Paddle Holder	1
9	G302 1071	Gear - Paddle Z32	1
10	G302 1079	Gear - Z18	1
11	G314 2123	Drive Link	1
12	G302 1044	Drive Bracket	1
13	G314 2122	Gear - Z85 Ass'y	1
14	G314 3315	Lever Spring	1
15	G302 0340	DC Solenoid - Exit Ass'y	1
16	G302 1144	Rubber Cushion - Solenoid	1
17	G302 1155	Paddle Solenoid	1
18	G302 1125	Paddle Clutch Spring	1
19	G302 1120	Holder Spring	1
20	G302 1152	Rubber Bushing - MM5	1
21	G302 1077	Drive Link Holder	1
22	G302 1072	Left Link Pulley	1
23	G302 1121	Timing Belt - Drive Link	1
24	G302 1080	Right Link Pulley	1

Index No.	Part No.	Description	Q'ty Per Assembly
101	G302 1509	Pan Head Screw - 3x6	
102	G302 1008	Washer - Mm6	
103	G302 1505	Retaining Ring - MM5	
104	G302 1501	Pan Head Screw - 4x7	
105	G302 1506	Harness Clamp - Type B	
106	G302 1515	Snap Ring - MM4	

4.PAPER EXIT (B458)

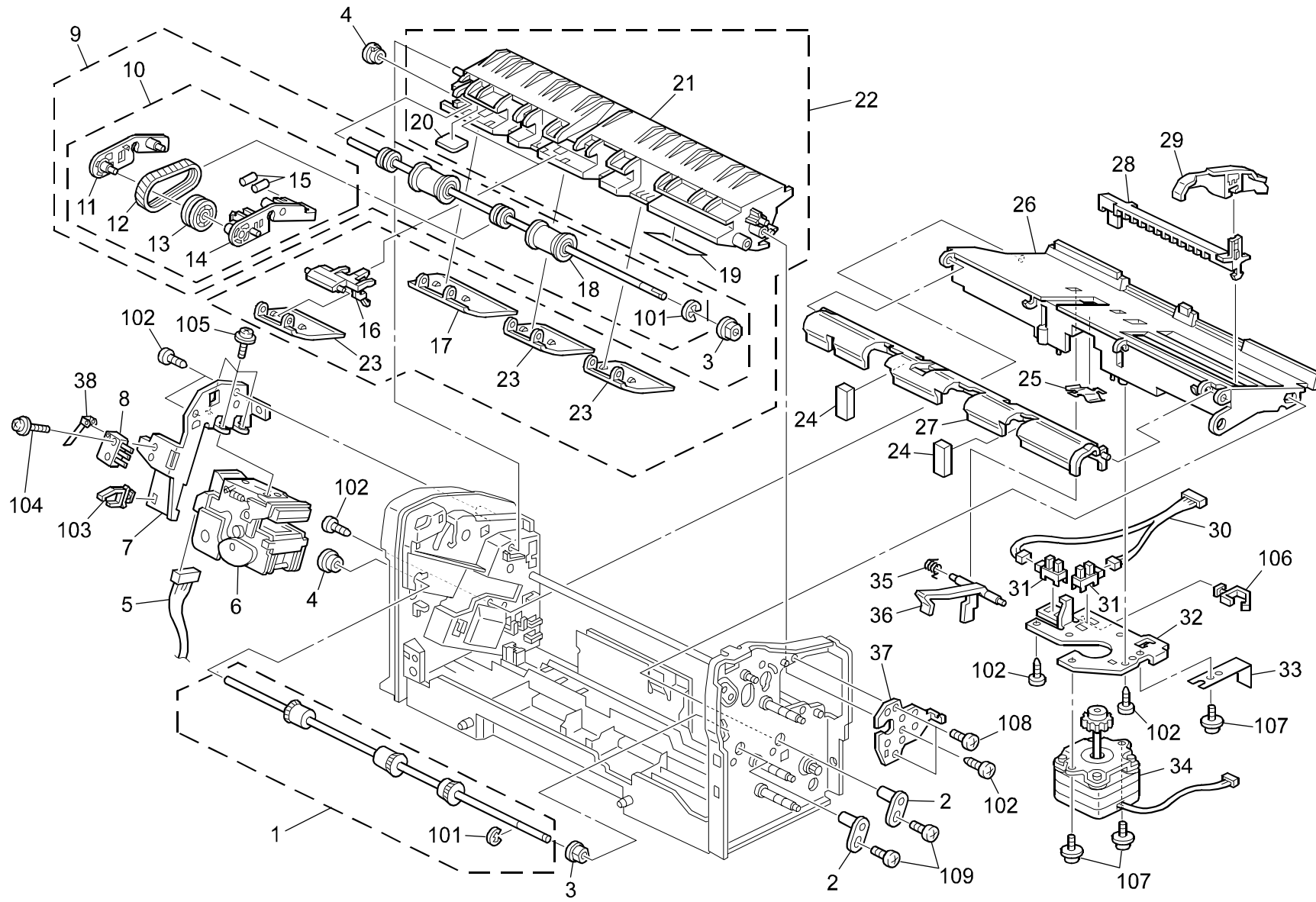


4.PAPER EXIT (B458)

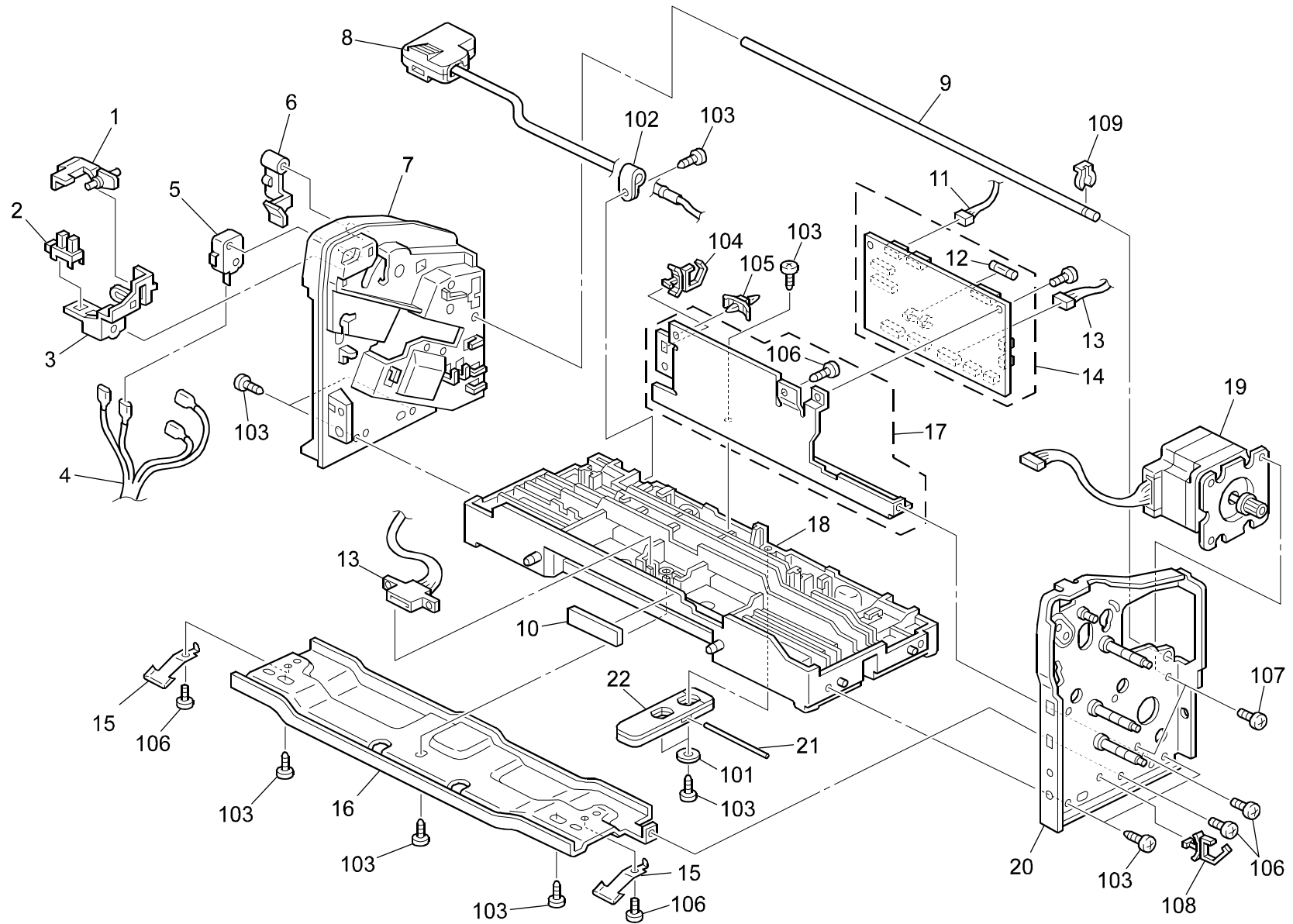
Index No.	Part No.	Description	Q'ty Per Assembly
1	G302 1517	Rubber Bushing - MM8	1
2	G314 3104	Guide - Paper Exit	1
3	G302 1130	Small Brush	2
4	G302 1047	Spring Plate - Rear Ground	1
5	G302 1075	Roller - Plate	2
6	G314 3101	Lever - Paper Exit	2
7	G302 1049	Plate Shaft	1
8	G302 1129	Middle Brush	1
9	G302 1074	Guide Plate - Paper Exit Unit	1
10	G302 1115	Spring - Paper Exit Unit - Rear	1
11	G302 1041	Bracket - Paper Exit Unit	1
12	G302 1046	Spring Plate - Front Ground	1
13	G302 1514	Bushing - MM6	1
14	G302 1527	Bushing - Paddle - MM5	1
15	G302 1124	Large Brush	1
16	G302 1085	Pulley - Paddle - Z14	1
17	G302 1050	Paddle Drive Shaft	1
18	G302 1114	Spring - Paper Exit Unit - Front	1
19	G302 1528	Bushing - MM5	2
20	G302 1052	Timing Belt - Paddle	1
21	B442 0310	Shaft - Paddle Ass'y	1
22	G302 1126	Paddle Film	2
23	G302 1084	Paddle Shaft	1
24	G302 1123	Exit Paddle	2
25	G302 0270	Roller - Driven - Rear Ass'y	2
26	G302 1060	Holder - Roller	4
27	G302 1091	Roller - Pull Back Belt	2
28	G302 1116	Spring - Driven Roller	4
29	G314 1111	Right Lever - Plate Ass'y	2
30	G302 1152	Rubber Bushing - MM5	3
31	G314 1115	Plate Lever	2
32	G302 1102	Pressure Roller - Front	2
33	G302 1086	Guide - Entrance - Upper	1
34	G302 1137	Entrance Film	1
35	G302 1012	Photointerruptor	1

Index No.	Part No.	Description	Q'ty Per Assembly
36	G302 0260	Feeler - Entrance Guide Ass'y	1
37	G302 1089	Entrance Guide Feeler	1
38	G302 0280	Front Driven Roller	2
39	G302 1518	Bushing - Paper Exit Unit - Point	1
40	G314 1125	Protection - Paddle	2
41	G314 3102	Balancer - Lever Paper Exit	2
42	G314 3103	Front Exit Guide Mylar	1
43	G314 3105	Rear Exit Guide Mylar	1
44	G314 1171	Cushion	2
45	B442 1065	Front Film	2
46	G314 1116	Right Film	1
47	G314 1112	Left Lever - Plate Ass'y	1
101	G302 1500	Tapping Screw - 4x12	
102	G302 1504	Screw - 4X6	
103	G302 1515	Snap Ring - MM4	
104	G302 1510	Snap Ring - MM5	

5.VERTICAL TRANSFER (B458)



6.ELECTRICAL/FRAME (B458)



6.ELECTRICAL/FRAME (B458)

Index No.	Part No.	Description	Q'ty Per Assembly
1	G302 1011	Cover Detector Feeler	1
2	G302 1012	Photointerruptor	1
3	G302 1010	Bracket - Cover Detector	1
4	G302 1014	Micro Switch Harness	1
5	G302 1015	Exit Micro Switch	1
6	G302 1013	Exit Lever	1
7	G302 1009	Rear Frame	1
8	B442 1027	Interface Harness	1
9	G302 1056	Joint Shaft	1
10	G302 1148	Base Cushion	1
11	G302 1028	Sensor Harness	1
12	G302 1021	Base Fuse	1
13	G302 1016	Harness - Drawer Connector	1
14	B442 0460	Main Control Board::Ass'y	1
	B458 0400	x/o MB2	
	B442 0450	x/o MB1	
15	G302 1002	Ground Spring Plate	2
16	G302 1001	Base Bracket	1
17	G302 0490	Bracket - Frame Base Ass'y	1
18	G302 1000	Base	1
19	B442 0120	Stepper Motor - Kh56	1
20	G302 0130	Front Side Plate	1
21	G302 1004	Bracket Stopper Shaft	1
22	G302 1003	Stopper Bracket	1

Index No.	Part No.	Description	Q'ty Per Assembly
101	G302 1005	Washer - Mm5	
102	G302 1511	Harness Clamp	
103	G302 1500	Tapping Screw - 4x12	
104	G302 1503	Harness Clamp - Type A	
105	G302 1502	Locking Support	
106	G302 1501	Pan Head Screw - 4x7	
107	G302 1504	Screw - 4X6	
108	G302 1506	Harness Clamp - Type B	
109	G302 1513	Snap Ring - Mm7	

Parts Index

Parts Index

Part No.	Description	Page and Index No.
B458 0400	x/o MB2	13 - 14
B458 1011	Joint Frame	3 - 20
B458 1012	Bracket Cover	3 - 19
B458 1015	Pan Head Screw - M4	3 -105

Part No.	Description	Page and Index No.
B442 0120	Stepper Motor - Kh56	13 - 19
B442 0310	Shaft - Paddle Ass'y	9 - 21
B442 0430	Rear Cover Ass'y	3 - 10
B442 0450	x/o MB1	13 - 14
B442 0460	Main Control Board::Ass'y	13 - 14
B442 1027	Interface Harness	13 - 8
B442 1057	Cover - Open	3 - 11
B442 1065	Front Film	9 - 45
B442 1082	Front Cover	3 - 9
B442 1083	Rear Cover	3 - 12
B442 1153	Decal - Paper Jam	3 - 16
G302 0130	Front Side Plate	13 - 20
G302 0200	Transport Roller Ass'y	11 - 1
G302 0210	Guide Plate - Entrance Ass'y	11 - 22
G302 0220	Roller - Paper Feed Ass'y	11 - 9
G302 0230	Roller - Paper Feed Sub Ass'y	11 - 10
G302 0260	Feeler - Entrance Guide Ass'y	9 - 36
G302 0270	Roller - Driven - Rear Ass'y	9 - 25
G302 0280	Front Driven Roller	9 - 38
G302 0340	DC Solenoid - Exit Ass'y	7 - 15
G302 0410	Solenoid - Paper Sensor Ass'y	3 - 6
G302 0490	Bracket - Frame Base Ass'y	13 - 17
G302 0500	Tensioner - Drive Ass'y	7 - 2
G302 1000	Base	13 - 18
G302 1001	Base Bracket	13 - 16
G302 1002	Ground Spring Plate	13 - 15
G302 1003	Stopper Bracket	13 - 22
G302 1004	Bracket Stopper Shaft	13 - 21
G302 1005	Washer - Mm5	13 -101
G302 1008	Washer - Mm6	7 -102
G302 1009	Rear Frame	13 - 7
G302 1010	Bracket - Cover Detector	13 - 3
G302 1011	Cover Detector Feeler	13 - 1
G302 1012	Photointerruptor	9 - 35
G302 1012	Photointerruptor	13 - 2

Part No.	Description	Page and Index No.
G302 1012	Photointerruptor	5 - 5
G302 1012	Photointerruptor	11 - 31
G302 1012	Photointerruptor	3 - 2
G302 1013	Exit Lever	13 - 6
G302 1014	Micro Switch Harness	13 - 4
G302 1015	Exit Micro Switch	13 - 5
G302 1016	Harness - Drawer Connector	13 - 13
G302 1016	Harness - Drawer Connector	11 - 5
G302 1019	Side Fence Rack	11 - 28
G302 1020	Side Fence	11 - 29
G302 1021	Base Fuse	13 - 12
G302 1022	Micro Switch - Cover	11 - 8
G302 1023	Connector - Solenoid	3 -104
G302 1024	Timing Belt - Transport	7 - 7
G302 1028	Sensor Harness	13 - 11
G302 1029	Harness - Jogger Fence	11 - 30
G302 1030	Tray Drawer Connector	5 - 15
G302 1032	Stepper Motor - Jogger Fence	11 - 34
G302 1035	Lever - Micro Switch	11 - 38
G302 1036	Spring Plate - Rack	11 - 25
G302 1037	Ground Plate - Jogger Fence	11 - 33
G302 1038	Stepper Motor Bracket	11 - 32
G302 1039	Entrance Bracket - Guide Plate	11 - 37
G302 1041	Bracket - Paper Exit Unit	9 - 11
G302 1042	Cover - Right	3 - 18
G302 1043	Bracket - Stapler Unit	11 - 7
G302 1044	Drive Bracket	7 - 12
G302 1045	Spring Plate - Ground	3 - 17
G302 1046	Spring Plate - Front Ground	9 - 12
G302 1047	Spring Plate - Rear Ground	9 - 4
G302 1049	Plate Shaft	9 - 7
G302 1050	Paddle Drive Shaft	9 - 17
G302 1052	Timing Belt - Paddle	9 - 20
G302 1054	Shaft - Weight - Cat	11 - 15
G302 1056	Joint Shaft	13 - 9

Part No.	Description	Page and Index No.
G302 1058	Exit Feeler	11 - 36
G302 1059	Entrance Lower Guide	11 - 21
G302 1060	Holder - Roller	9 - 26
G302 1068	Feed Out Pulley	7 - 5
G302 1069	Pulley - Z18	7 - 4
G302 1071	Gear - Paddle Z32	7 - 9
G302 1072	Left Link Pulley	7 - 22
G302 1074	Guide Plate - Paper Exit Unit	9 - 9
G302 1075	Roller - Plate	9 - 5
G302 1076	Link Lever	7 - 6
G302 1077	Drive Link Holder	7 - 21
G302 1079	Gear - Z18	7 - 10
G302 1080	Right Link Pulley	7 - 24
G302 1081	Paddle Holder	7 - 8
G302 1084	Paddle Shaft	9 - 23
G302 1085	Pulley - Paddle - Z14	9 - 16
G302 1086	Guide - Entrance - Upper	9 - 33
G302 1089	Entrance Guide Feeler	9 - 37
G302 1090	Cover Front Link	3 - 14
G302 1091	Roller - Pull Back Belt	9 - 27
G302 1094	Pressure Plate - Paper Feed	11 - 23
G302 1095	Pressure Plate - Rear	11 - 17
G302 1097	Holder - Cat Roller - Rear	11 - 11
G302 1098	Roller - Cat	11 - 13
G302 1099	Holder - Paper Plate	11 - 16
G302 1100	Cover Rear Link	3 - 13
G302 1101	Holder - Belt Tensioner	7 - 3
G302 1102	Pressure Roller - Front	9 - 32
G302 1104	Connector Cover	5 - 16
G302 1106	Link - Paper Sensor	3 - 5
G302 1108	Gear - Z40	5 - 9
G302 1109	Tray Right Gear	5 - 10
G302 1113	Guide Plate - Joint	3 - 21
G302 1114	Spring - Paper Exit Unit - Front	9 - 18
G302 1115	Spring - Paper Exit Unit - Rear	9 - 10

Part No.	Description	Page and Index No.
G302 1116	Spring - Driven Roller	9 - 28
G302 1117	Caterpillar Belt	11 - 12
G302 1119	Spring - Belt Tension	7 - 1
G302 1120	Holder Spring	7 - 19
G302 1121	Timing Belt - Drive Link	7 - 23
G302 1122	Rubber Cushion	5 - 17
G302 1123	Exit Paddle	9 - 24
G302 1124	Large Brush	9 - 15
G302 1125	Paddle Clutch Spring	7 - 18
G302 1126	Paddle Film	9 - 22
G302 1129	Middle Brush	9 - 8
G302 1130	Small Brush	9 - 3
G302 1131	Exit Spring	11 - 35
G302 1137	Entrance Film	9 - 34
G302 1138	Entrance Film - Guide Plate	11 - 20
G302 1141	Front Film - Guide Plate	11 - 19
G302 1143	Rubber Cushion - MM6	3 - 7
G302 1144	Rubber Cushion - Solenoid	7 - 16
G302 1147	Rubber Cushion - Guide Plate	11 - 24
G302 1148	Base Cushion	13 - 10
G302 1149	Feed Out Roller	11 - 18
G302 1150	Spring - Paper Senser	3 - 3
G302 1152	Rubber Bushing - MM5	7 - 20
G302 1152	Rubber Bushing - MM5	9 - 30
G302 1154	DC Motor - Tray	5 - 4
G302 1155	Paddle Solenoid	7 - 17
G302 1156	Stapler Unit	11 - 6
G302 1500	Tapping Screw - 4x12	13 -103
G302 1500	Tapping Screw - 4x12	3 -101
G302 1500	Tapping Screw - 4x12	5 -101
G302 1500	Tapping Screw - 4x12	11 -102
G302 1500	Tapping Screw - 4x12	9 -101
G302 1501	Pan Head Screw - 4x7	7 -104
G302 1501	Pan Head Screw - 4x7	3 -103
G302 1501	Pan Head Screw - 4x7	11 -108

Part No.	Description	Page and Index No.
G302 1501	Pan Head Screw - 4x7	13 -106
G302 1502	Locking Support	13 -105
G302 1503	Harness Clamp - Type A	13 -104
G302 1504	Screw - 4x6	3 -102
G302 1504	Screw - 4X6	11 -109
G302 1504	Screw - 4X6	13 -107
G302 1504	Screw - 4X6	9 -102
G302 1505	Retaining Ring - MM5	7 -103
G302 1505	Retaining Ring - MM5	11 -101
G302 1506	Harness Clamp - Type B	7 -105
G302 1506	Harness Clamp - Type B	11 -106
G302 1506	Harness Clamp - Type B	13 -108
G302 1507	Screw - 2.3X12	11 -104
G302 1508	Tapping Screw - 3x6	11 -107
G302 1509	Pan Head Screw - 3x6	7 -101
G302 1509	Pan Head Screw - 3x6	11 -105
G302 1510	Snap Ring - MM5	9 -104
G302 1511	Harness Clamp	13 -102
G302 1512	Harness Clamp - Type C	11 -103
G302 1513	Snap Ring - Mm7	13 -109
G302 1514	Bushing - MM6	11 - 3
G302 1514	Bushing - MM6	9 - 13
G302 1515	Snap Ring - MM4	7 -106
G302 1515	Snap Ring - MM4	9 -103
G302 1516	Bushing - Side Plate - Rear	11 - 4
G302 1517	Rubber Bushing - MM8	11 - 2
G302 1517	Rubber Bushing - MM8	9 - 1
G302 1518	Bushing - Paper Exit Unit - Point	9 - 39
G302 1519	Snap Ring - Tray	5 -102
G302 1526	Screw - 4X12	3 - 8
G302 1527	Bushing - Paddle - MM5	9 - 14
G302 1528	Bushing - MM5	9 - 19
G314 1111	Right Lever - Plate Ass'y	9 - 29
G314 1112	Left Lever - Plate Ass'y	9 - 47
G314 1115	Plate Lever	9 - 31

Part No.	Description	Page and Index No.
G314 1116	Right Film	9 - 46
G314 1125	Protection - Paddle	9 - 40
G314 1162	Holder - Paper Feed Front	11 - 14
G314 1171	Cushion	9 - 44
G314 1181	Guide Plate - Tray Front	11 - 26
G314 2122	Gear - Z85 Ass'y	7 - 13
G314 2123	Drive Link	7 - 11
G314 3101	Lever - Paper Exit	9 - 6
G314 3102	Balancer - Lever Paper Exit	9 - 41
G314 3103	Front Exit Guide Mylar	9 - 42
G314 3104	Guide - Paper Exit	9 - 2
G314 3105	Rear Exit Guide Mylar	9 - 43
G314 3111	Upper Cover	3 - 15
G314 3112	Guide Plate - Lower	3 - 1
G314 3113	Cap - Guide Plate Lower	3 - 22
G314 3141	Front Guide Plate	11 - 27
G314 3150	Exit Tray Ass'y	5 - 14
G314 3151	Main Tray	5 - 18
G314 3152	Middle Slide Tray	5 - 19
G314 3153	End Slide Tray	5 - 20
G314 3155	Tray Base Holder	5 - 13
G314 3170	Link - Tray Ass'y	5 - 11
G314 3171	Holder - Tray	5 - 1
G314 3176	Front Cover Link	5 - 8
G314 3177	Middle Tray Cover	5 - 6
G314 3178	Plate - Tray	5 - 2
G314 3179	Tray Link Cover	5 - 12
G314 3180	Rear Link Cover	5 - 3
G314 3181	Tray Drive Gear	5 - 7
G314 3231	Paper Senser Lever	3 - 4
G314 3315	Lever Spring	7 - 14

Part No.	Description	Page and Index No.